

# Island Path - Layer Cake Quilt Pattern

by Yoan Zivkovic - Yoan Sewing Studio

[www.yoansewingstudio.com](http://www.yoansewingstudio.com)

[www.youtube.com/yoansewingstudio](http://www.youtube.com/yoansewingstudio)

©Copyright 2022 Yoan Sewing Studio



**Finished quilt measurements : 70 1/2" x 81 1/2" (179 x 207 cm)**

## You will need :

1 set of layer cake - (42x) 10" squares

2 1/3 yard of background fabric

5/8 yard border fabric

72" x 83" (183 x 211 cm) batting <https://amzn.to/3uoJkpl>

4 1/2 yard backing fabric

5/8 yard binding fabric

Note: yardage requirements are an estimate, based on standard 44" wide cotton quilting fabric.

Machine quilting thread (if opt machine quilting) <https://amzn.to/36Z6Xuc>

Basic sewing /quilting notions

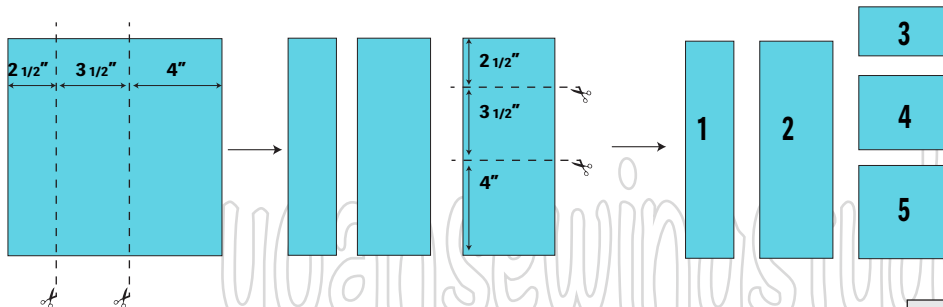


## Cutting

watch the video tutorial :  
<https://youtu.be/B9v2B221Fao>

## Fabric 1,2,3,4,5

Following the below diagram and the video tutorial, cut each layer cake fabric (42x each in total)



Fabric 1 : 2 1/2" x 10" (6.4 x 25.4 cm)

Fabric 2 : 3 1/2" x 10" (9 x 25.4 cm)

Fabric 3 : 2 1/2" x 4" (6.4 x 10 cm)

Fabric 4 : 3 1/2" x 4" (9 x 10 cm)

Fabric 5 : 4" x 4" (10 x 10 cm)

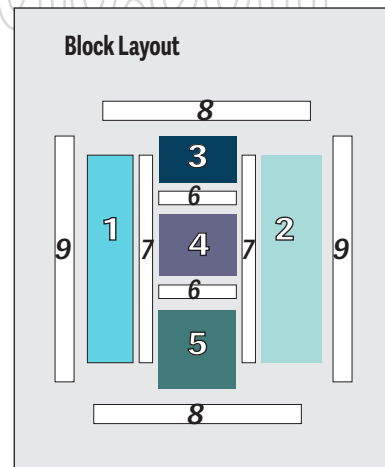
cut 42x each

- Fabric 6** | cut 84x from the background fabric : 1" x 4" (2.5 x 10 cm)
- Fabric 7** | cut 84x from the background fabric : 1" x 10" (2.5 x 25.4 cm)
- Fabric 8** | cut 84x from the background fabric : 1 1/4" x 10" (3.2 x 25.4 cm)
- Fabric 9** | cut 84x from the background fabric : 1 1/4" x 11 1/2" (3.2 x 29.2 cm)

**Border 1** | cut 2x from the border fabric : 2 1/2" x 66 1/2" (6.4 x 169.5 cm)

**Border 2** | cut 2x from the border fabric : 2 1/2" x 81 1/2" (6.4 x 207.5 cm)

**Binding** | cut from the binding fabric (8) 2 1/2" strips from the width of the fabric

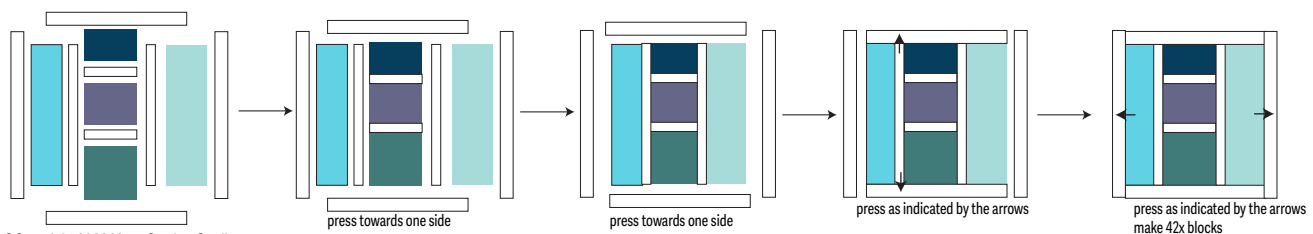


## Making the Blocks

Seam allowances are scant 1/4" (6mm)

Following the below diagram and the video tutorial, make in total of 42x blocks

Finished block measurements : 11 1/2" x 11 1/2" (29.2 x 29.2 cm)



## Assembly

1. Lay out your blocks in 7 rows, each row should have 6 blocks. Alternate the direction of each block as instructed in the video tutorial.
2. Sew the blocks one row at the time, alternate the pressing direction of each row.
3. Sew all the rows together, press towards one side.
4. Sew border 1 (short border), press towards border 1.
5. Sew border 2 (long border), press towards border 2.

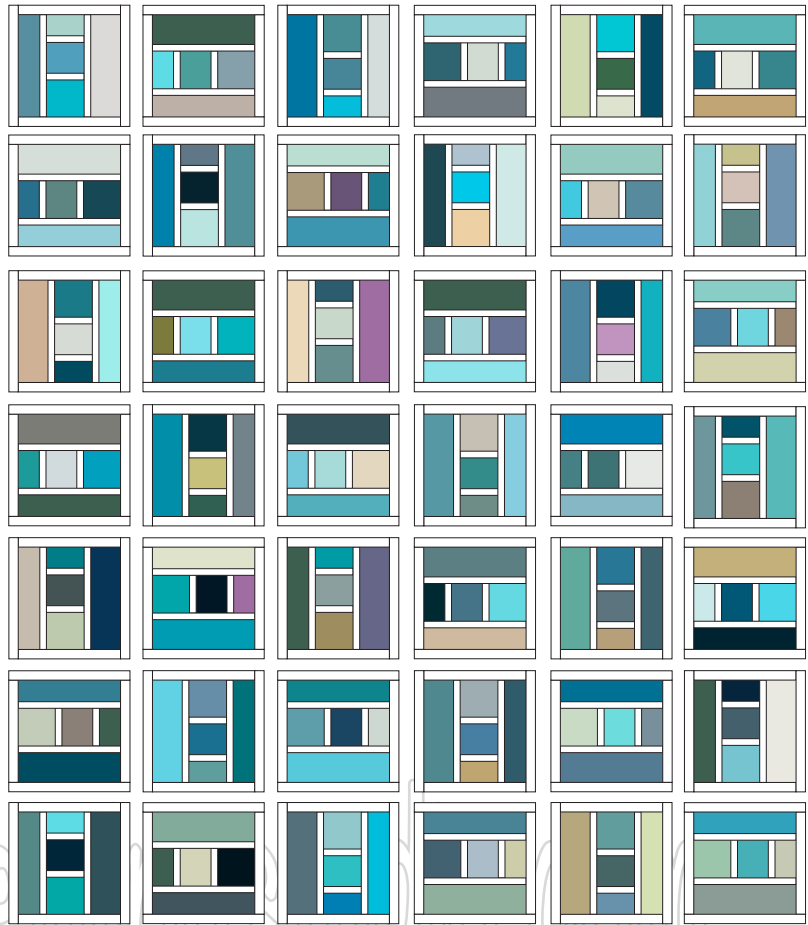
## Finishing

Layer with batting and backing fabric, baste, then quilt and bind as desired.

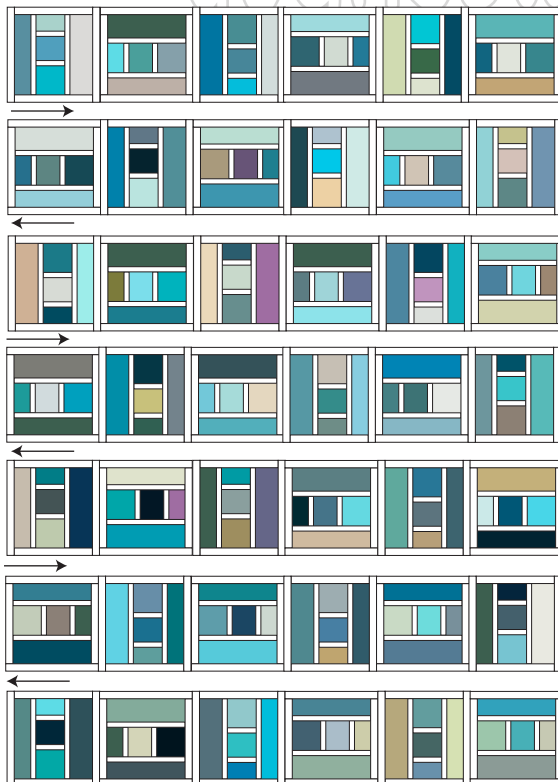
watch the video tutorial :  
<https://youtu.be/B9v2B221Fao>

Binding tutorial :  
<https://youtu.be/wW5Hc0DrCeg>

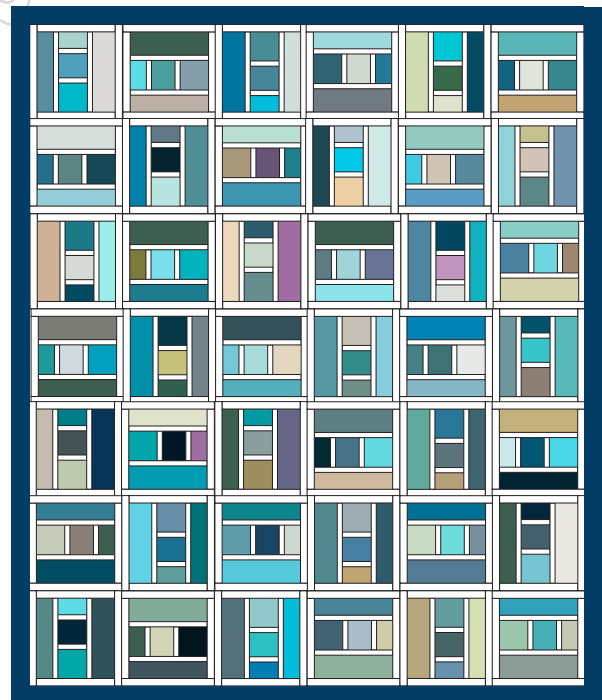
Free motion quilt for beginner tutorial :  
<https://youtu.be/7RjDrHhL3O4>



island path quilt - lay out



alternate the pressing of each row



Island Path Quilt by Yoan Sewing Studio